

# SELECTIVE RACK

## SYSTEM DESIGN CHEAT SHEET

PROJECT: \_\_\_\_\_

ADDRESS: \_\_\_\_\_

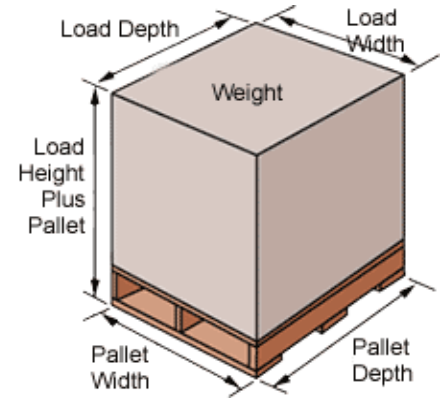
CITY: \_\_\_\_\_ STATE: \_\_\_\_\_ ZIP: \_\_\_\_\_

### PALLET INFORMATION

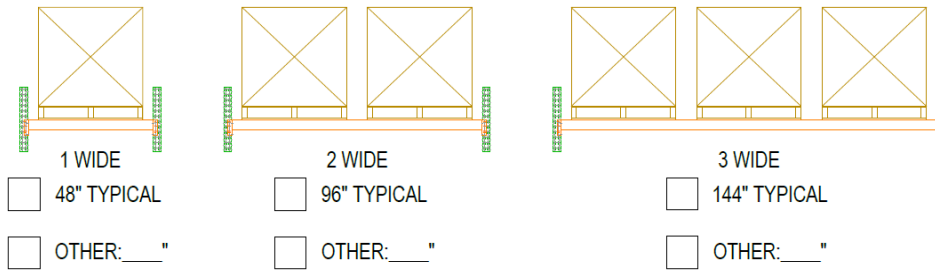
PALLET WIDTH: \_\_\_\_\_ (in) PALLET DEPTH: \_\_\_\_\_ (in)

LOAD WIDTH: \_\_\_\_\_ (in) LOAD DEPTH: \_\_\_\_\_ (in)

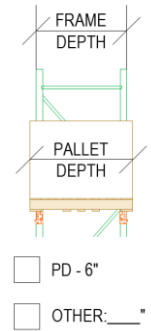
TOTAL HEIGHT: \_\_\_\_\_ (in) WEIGHT: \_\_\_\_\_ (lbs)



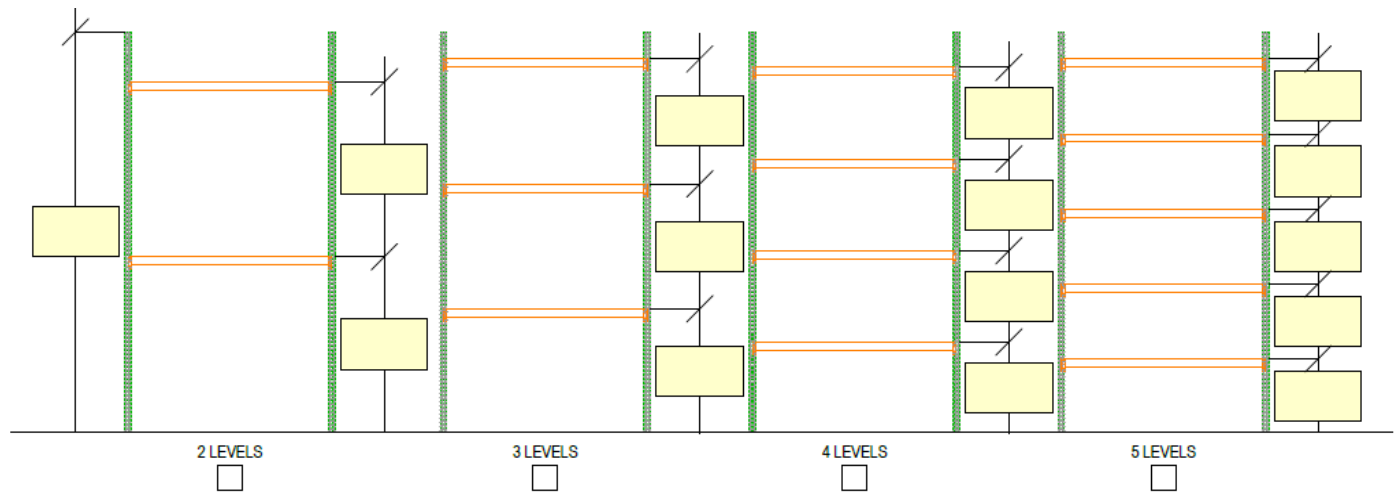
### PALLET CONFIGURATION



### FRAME DEPTH



### BEAM CONFIGURATION



DIMENSION IN INCHES